






# UV Box


## Technical Specifications


 **Curing Time Cycles**  
10 sec. to 9 min. 5 sec.


 **Chamber Dimensions**  
15 (W) x 17 (D) x 7 (H) cm  
5.9 (W) x 6.6 (D) x 2.7 (H) in

 **Power Consumption**  
65 W


 **Dimensions**  
20 (W) x 21 (D) x 15 (H) cm  
7.9 (W) x 8.3 (D) x 5.9 (H) in

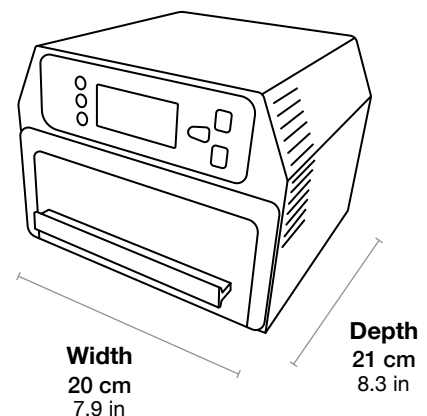
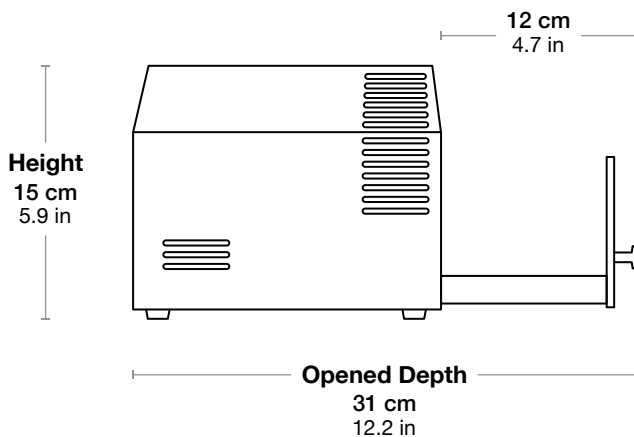
 **UV Wavelength**  
365, 385, 405 nm

 **Power Input**  
100-240VAC, 50-60Hz

 **Weight**  
Approx. 3 kg  
Approx. 7.3 lbs

 **LED Lights**  
12

 **Library Updates**  
Manual



Visit [ackuretta.com](http://ackuretta.com) to learn more  
For sales inquiries, contact [sales@ackuretta.com](mailto:sales@ackuretta.com)